

TECHNICAL DATASHEET: YH119C7

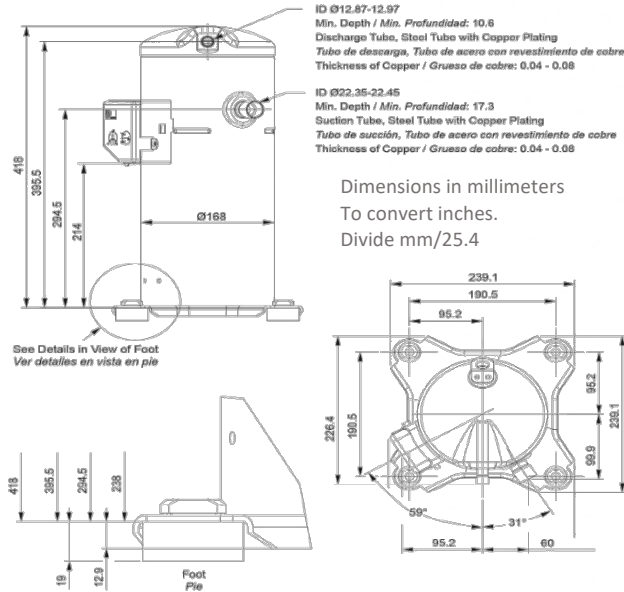
Archivo	Revisión	Elaboro	Hoja
YH119C7_TDS	03/2023	RGE	1

TEST CONDITION AHRI-540-2020 HIGH TEMPERATURE/AIR CONDITINING/CHILLERS						REFRIGERANT	ELECTRIC SUPPLY	TOLERANCE
Units	Te	Tc	SH	SC	Tret.	R-410A	208-230V /3PH/50-60Hz	± 10%
Imperial °F	45	130	20	15	65			

NOMINAL TEST CONDITION PARAMETERS	Value	Imperial	Value	International	Comments
Frigorific potency	49213	Btuh	14,432	Watt	
Instant energy consumption	4714	Watt	4,714	Watt	
Efficiency BTUh/W (EER) W/W (COP)	10.44	Btuh/W	3.06	W/W	
Nominal current consumption	15.15	A	15.15	A	
Nominal Displacement	0.26	In/Rev	46.0	Cm ² /Rev.	
Total heat rejection	65,288	Btuh	14,250	Watt	

Mechanical data	
Displacement at 3500 RPM	6.11 CFM
Commercial Horsepower	4HP
Compressor Weight	31 kg (68.2 Lb.)
3GS Oil original charge	1.4 L (49 Oz.)
3GS oil refilling charge	1.25 L (44 Oz.)
Center holes mounting	7.5 x 7.5 in
Required food print	9.5 x 9.5 in
Total height	418mm 16.5 in
Ø Discharge tube	½"
Ø Suction Tube	7/8"

Electrical data	
Max braker protection	15.5A
Locked Rotor Amp. LRA	99A
Voltage range	208 – 230 V AC
Phases	1
Electric supply frequency	50 - 60 HZ
VFD app range	30 - 70 Hz
Run capacitor	
Start capacitor	None
Start relay	None
Crankcase heater	70 W



Frigorific potency in Btuh performance at different conditions in °F								
↓Tc Te→	-13	0	10	20	30	40	50	54
77	19467	27424	34323	42280	51672	62839	76193	82203
80	18920	26809	33640	41460	50681	61644	74758	80667
90	17212	24965	31522	38967	47676	57990	70319	75885
100	15573	23257	29610	36679	44944	54643	66254	71480
110		21481	27663	34459	42280	51433	62361	67279
120			25511	32069	39479	48154	58400	63044
130				29302	36406	44602	54267	58604

Instantaneous potency in W performance at different conditions in °F								
↓Tc Te→	-13	0	10	20	30	40	50	54
77	2439	2423	2408	2401	2408	2437	2496	2529
80	2559	2537	2517	2505	2506	2529	2582	2613
90	2967	2926	2892	2862	2846	2850	2883	2905
100	3405	3348	3300	3256	3224	3211	3225	3239
110		3823	3763	3706	3659	3631	3627	3635
120			4302	4234	4174	4132	4113	4114
130				4859	4788	4733	4701	4696

Current consumption in Ampere							
-13	0	10	20	30	40	50	54
9.97	9.97	9.91	9.87	9.88	10.02	10.34	10.53
10.15	10.11	10.02	9.92	9.89	9.96	10.21	10.38
10.95	10.84	10.66	10.46	10.28	10.2	10.26	10.34
11.97	11.87	11.67	11.42	11.17	10.99	10.92	10.94
	13.07	12.9	12.66	12.4	12.17	12.05	12.03
		14.22	14.05	13.83	13.63	13.49	13.47
			15.43	15.32	15.2	15.12	15.12

Mass flow in Lb/h							
-13	0	10	20	30	40	50	54
102.36	145.12	179.17	217.36	262.77	318.16	386.67	418.33
99.95	142.77	176.62	214.39	259.16	313.71	381.17	412.34
94.51	138.16	171.84	208.73	251.9	304.15	368.6	398.37
90.93	136.44	170.72	207.51	249.87	300.6	362.81	391.49
	134.96	170.63	208.1	250.43	300.42	361.18	389.08
		168.92	207.85	250.93	300.96	361.04	388.48
			204.11	248.73	299.57	359.77	387.05